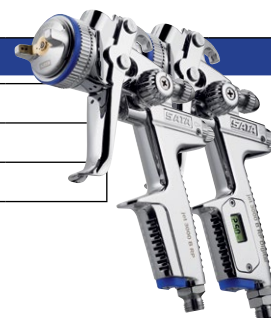


SATAjet® 3000 B RP®/HVLP



SATAjet 3000 B RP (DIGITAL)

Technical Data	Inlet Pressure: 2.0 - 2.2 bar / 29-35 psi
	Air consumption: 2.0 bar: 285 NI/min / 10.4 cfm at 29 psi
	Spray distance: 12 - 21 cm / 6 ^{3/4} in - 8 ^{1/4} in



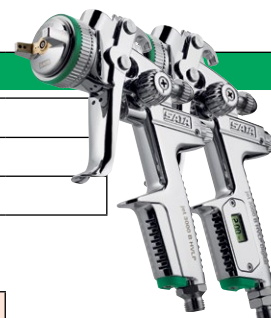
Nozzle	1.0	1.2	1.3	1.4	1.6	1.8	2.0	2.5
---------------	-----	-----	-----	-----	-----	-----	-----	-----

Nozzle Set

Order No.	132357	132365	132373	132381	132399	132407	132415	132423
------------------	--------	--------	--------	--------	--------	--------	--------	--------

SATAjet 3000 B HVLP (DIGITAL)

Technical Data	Inlet Pressure: 2.0 bar / 29 psi
	Air consumption: 2.0 bar: 430 NI/min / 15.2 cfm at 29 psi
	Spray distance: 13 - 17 cm / 5 in - 6 ^{3/4} in



Nozzle	1.0	1.2	WSB	1.3	1.4	1.5	1.7	1.9	2.2
---------------	-----	-----	-----	-----	-----	-----	-----	-----	-----

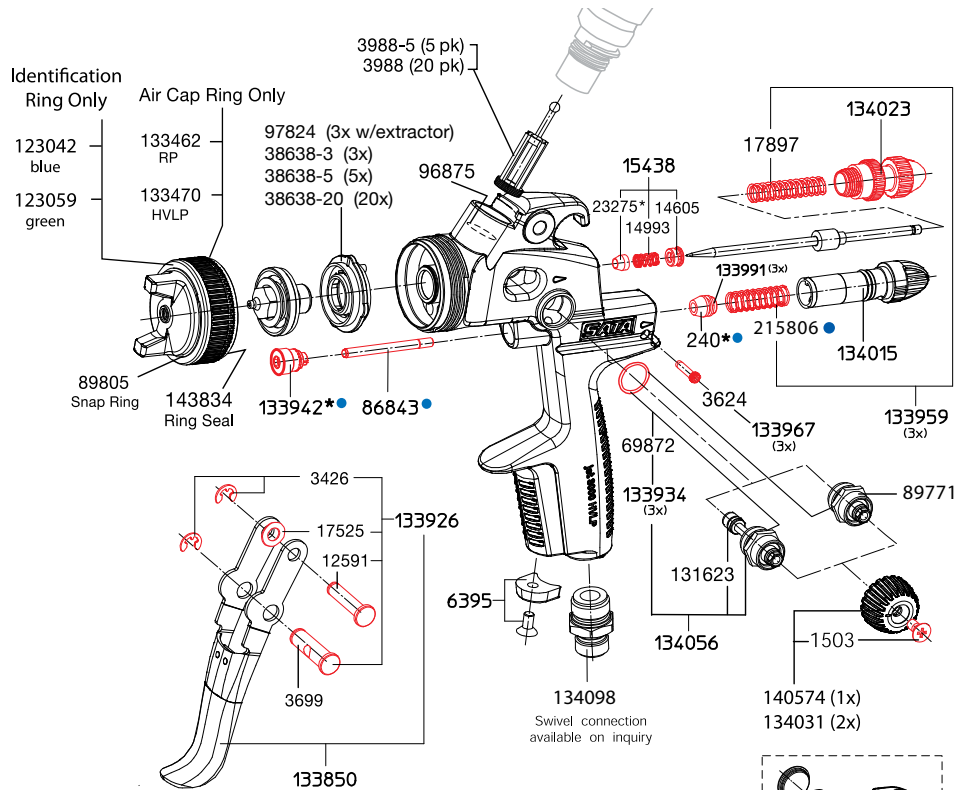
Nozzle Set

Order No.	132910	132928	132993	132936	132944	132951	132969	132977	132985
------------------	--------	--------	--------	--------	--------	--------	--------	--------	--------

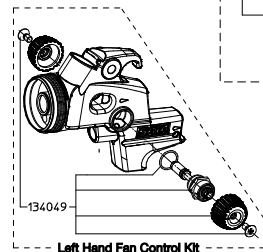
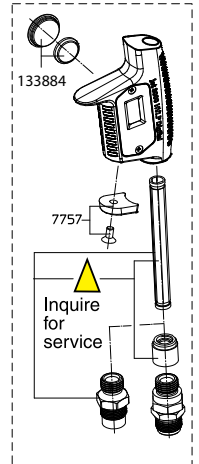
Spray Gun No Longer in Production • Replacement Parts Available

Spare Parts SATAjet® 3000 B

Order No./Desc.	
240	Packing, air piston
901	Wrench, universal spanner
1503	Screw, fan control
3426	Circlip only, 1 each
3509	Brush, large standard
3624	Pin, air micrometer
3699	Pin, lower trigger
3988	Sieve, pk of 20
3988-5	Sieve, pk of 5
6395	Disc, CC (standard), pk of 4
6585	Insert, aluminum cup
7757	Disc, CC (DIGITAL), pk of 4
9050	Tool kit
9647	Allen wrench, 4
12591	Pin, upper trigger
14605	Bushing, needle packing
14993	Spring, needle packing
15438	Kit, needle packing
17525	Spring, spacer lock
17897	Spring, paint needle
23275	Packing, needle
38638	Ring, air distribution, each
38638-3	Ring, air distribution, pk of 3
38638-5	Ring, air distribution, pk of 5
38638-20	Ring, air distribution, pk of 20
43638	Puller, wire air ring
64543	Allen wrench, 2
69872	O ring, fan control, (large)
82552	Kit, air piston service
86843	Piston, air rod
89771	Fluid Control, w/"O" ring
89805	Air cap snap ring
96875	Inner cup seal
123042	Identification ring, RP blue
123059	Identification ring, HVLP green
131623	O ring, fan control, (small)
133462	RP air cap ring w/ seal
133470	HVLP air cap ring w/ seal
133835	Repair kit, complete
133850	Kit, trigger service complete
133884	Kit, battery, cover w/gasket
133926	Kit, trigger sleeve
215806	Spring, air piston



Order No./Desc.	
133934	O ring, fan control, 3 pk (large)
133942	Bushing, air piston
133959	Kit, spring, pk of 3 each of #215806 & #17897
133967	Pin, air micrometer, pk of 3
134015	Air micrometer
134023	Kit, fluid control and lock nut
134049	Kit, left hand fan control
134056	Control, RH fan w/ O-ring
134098	Fitting, standard ? air inlet
136960	Packing kit
140574	Knob, fan control w/screw
143834	Seal, air cap ring



For optional left hand control spray gun only, body machined all the way through.

9050 Tool Kit

901	Universal spanner wrench
3509	Cleaning brush
9647	Allen wrench 4mm
64543	Allen wrench 2mm
43638	Extraction tool



Order No./Desc.

133835	Repair kit
82552	Air piston service set
* 136960	Packing set

Technical modifications and printing errors reserved